



Sun Windows & Doors

Display System for Windows and Doors

Custom Display Development Process

Sun's Window and Door Display System is available to qualified Sun Dealers for use in their Showrooms. This modular system is flexible to adapt the display to needs of each Showroom. The Display should be developed in collaboration with the Dealer, the Sun Representative and the Sun Factory Team. A wide variety of configurations can be achieved and the specific products to be displayed can be selected to best represent the product focus of the Dealer.

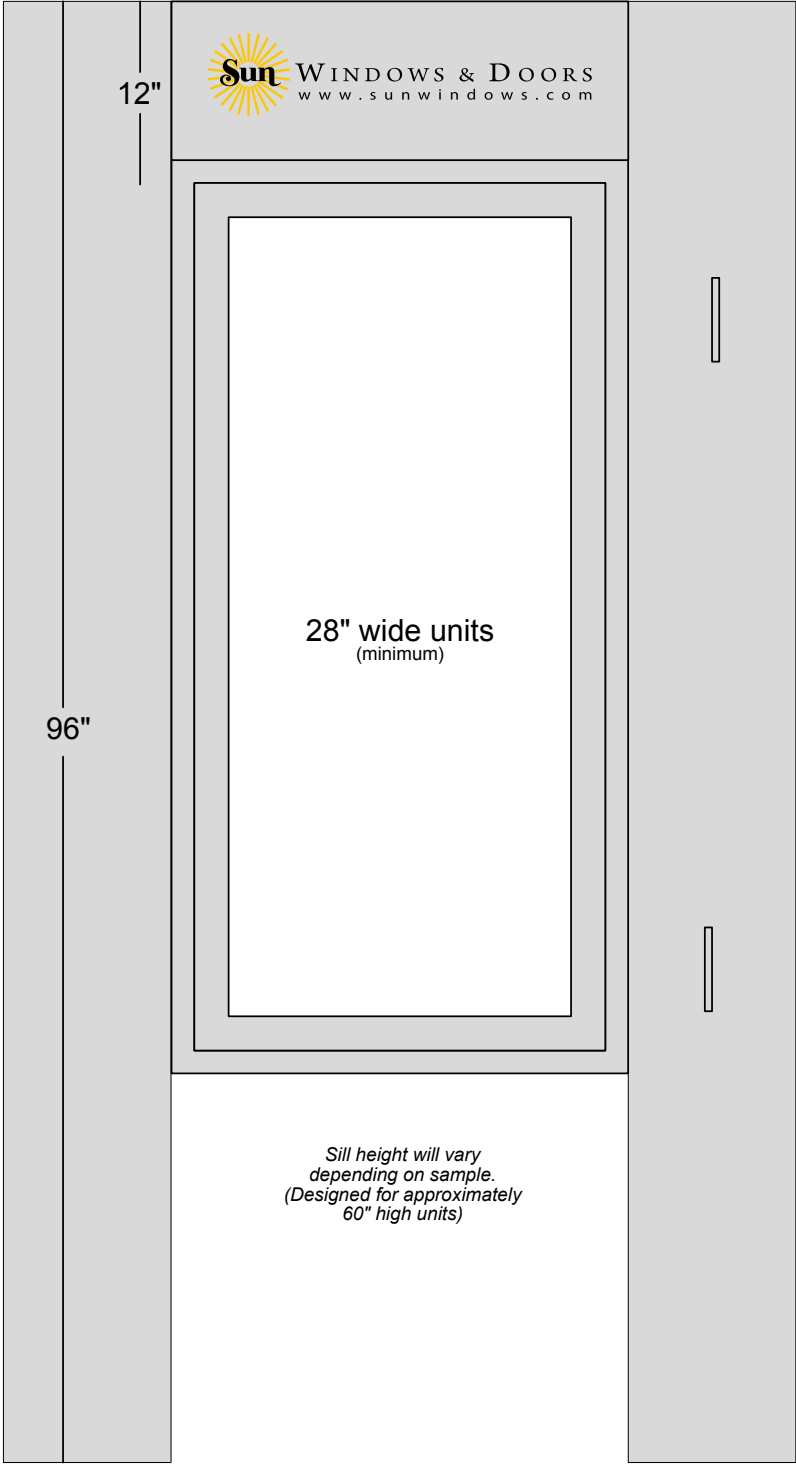
The following documentation is intended as a reference in the custom design process of the complete display. Please refer to this information to enhance your communication with your Representative and with the Factory Team as your display is being designed.



Top Sign Panel

1/2" thick MDF panel painted to match columns with Sun Logo, Name and web address

Keep all head heights the same



Inserts between columns at top

Column Support

11"w x 11"d x 96"h
 For attaching panel together. Designed so that fastening hardware is universally located to match any center panels.

Column Support

Has mounting hardware for fastening two wall panels together or as end column

top down view

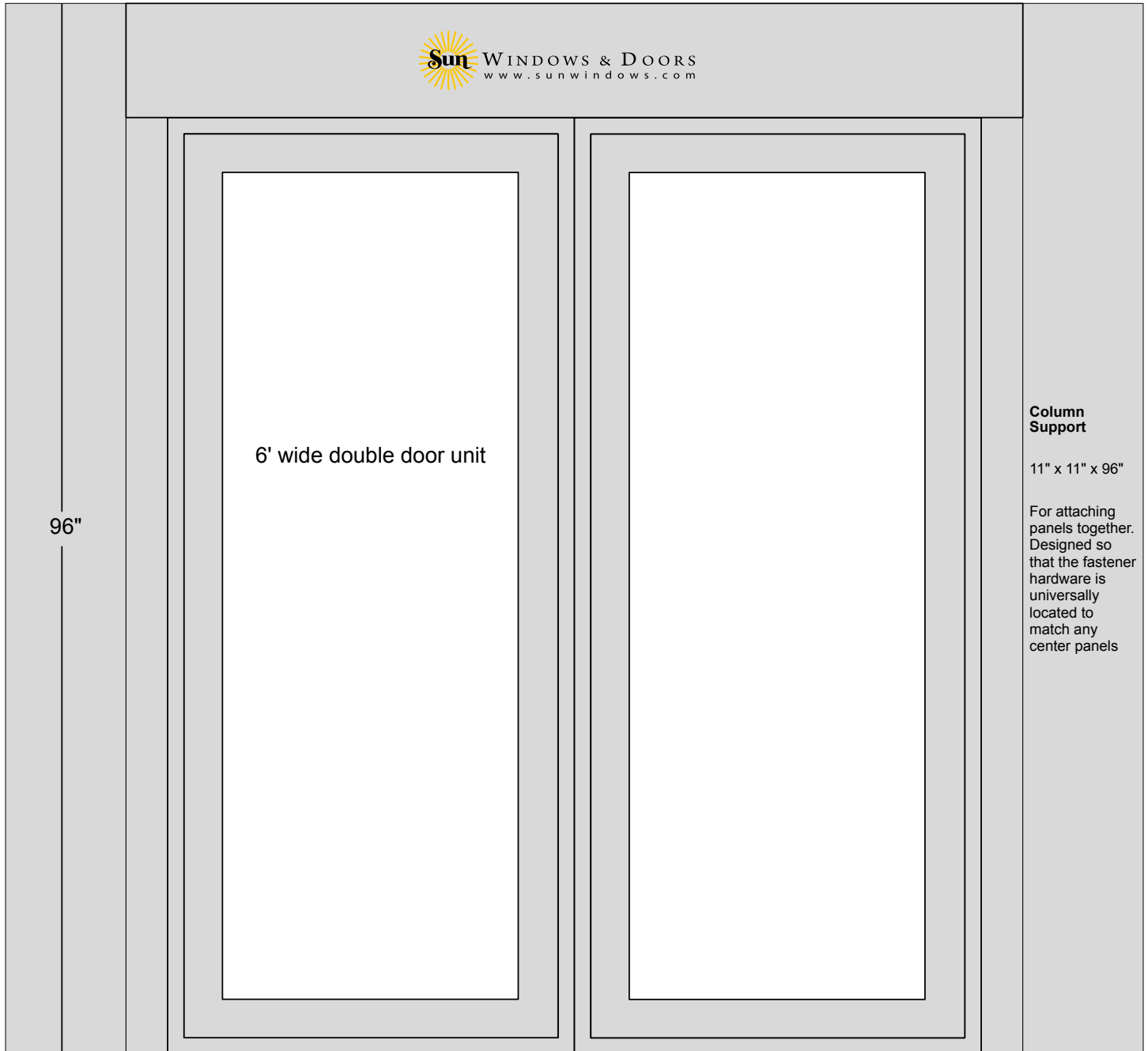


11"w x 11"d x 96"h

Double Door Panel System,

Top Sign Panel

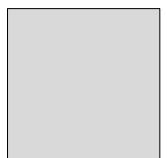
*1/2" thick MDF
Panel painted to
match columns with
Sun Logo, Name
and web address*



Column Support

Has mounting hardware for fastening wall panels together or as end column

top down view



11" w x 11" d x 96" h

Modular Display System - Condensed Panel Version

Uses Column Supports along with a six foot door wall panel and wall-less window panels to form various configurations for a flexible layout display system.

Main Components

Column Support / Multi-panel Hub
11" x 11" x 96"



Wall-less Window Panel
(size varies - based on using
28" x 60" window units)



Six Foot Wide 2-Panel Door Section
(French Door or Sliding Door)



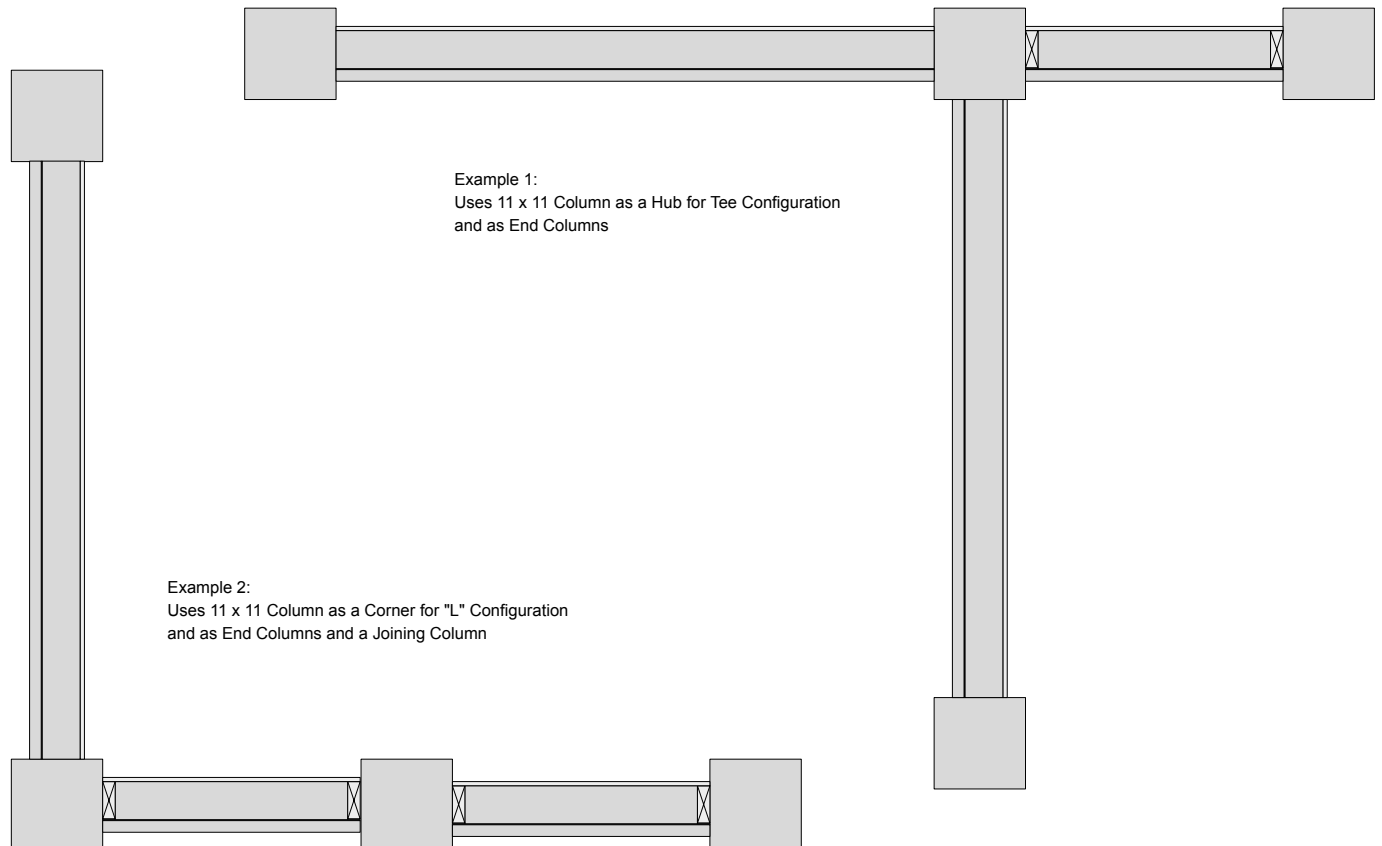
Graphics:

A Logo Graphic Panel is designed to be placed above each window and door section

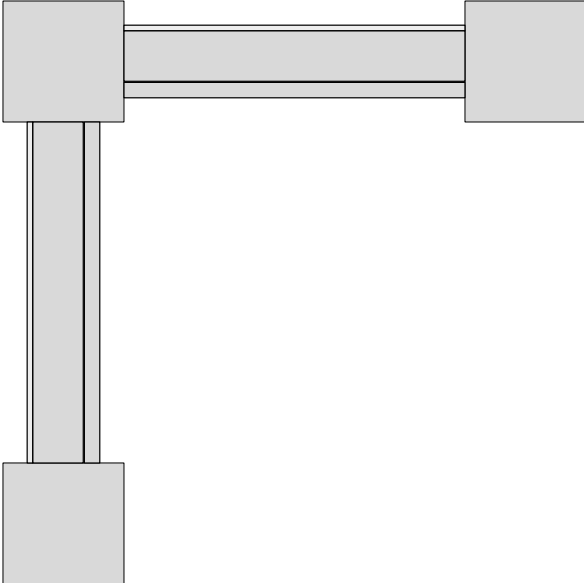
The flat - exposed surfaces of the Column Supports is available for smaller graphic plaques

Configurations

A wide range of layout configurations can be created using these basic components. Our Team can help you develop a layout based on your size constraints and the product samples you wish to include in your display.



Sample Display Configurations

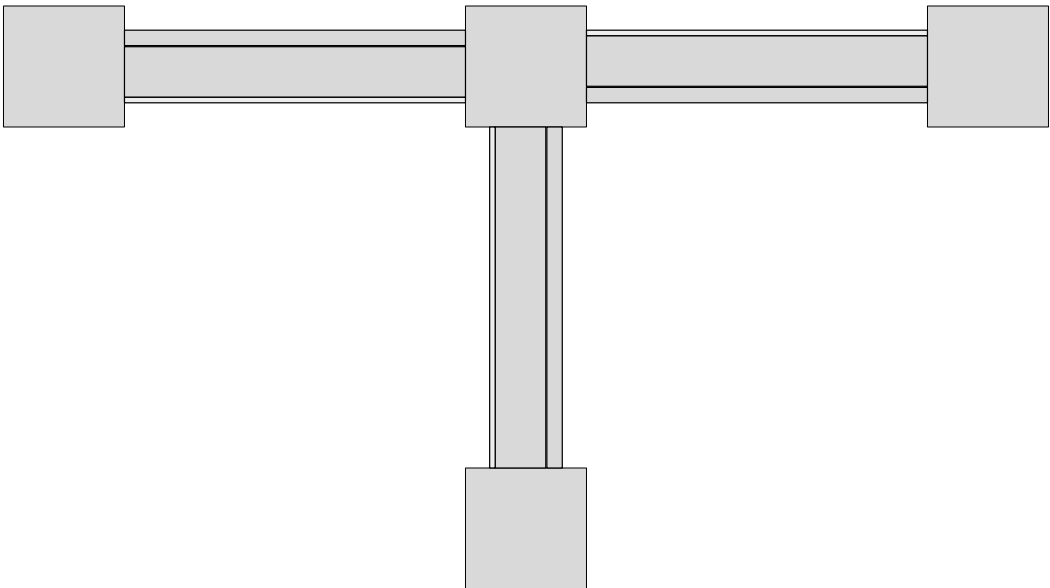


2 Unit Corner Display

Two sample units with Column Supports and Corner Support. Could serve as a stand-alone display.

Approximately: 3.5' x 3.5'

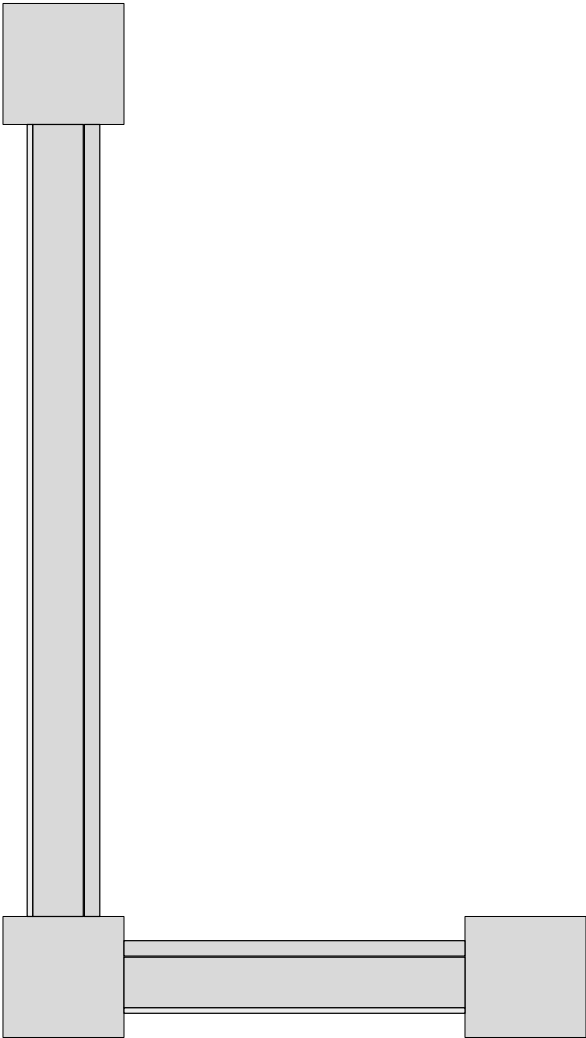
Sample Display Configurations



3 Unit T-Shaped Display

Three sample units with End Column Supports and Central Column Support. Could serve as a stand-alone display.
Approximately: 3.5' x 6.5'

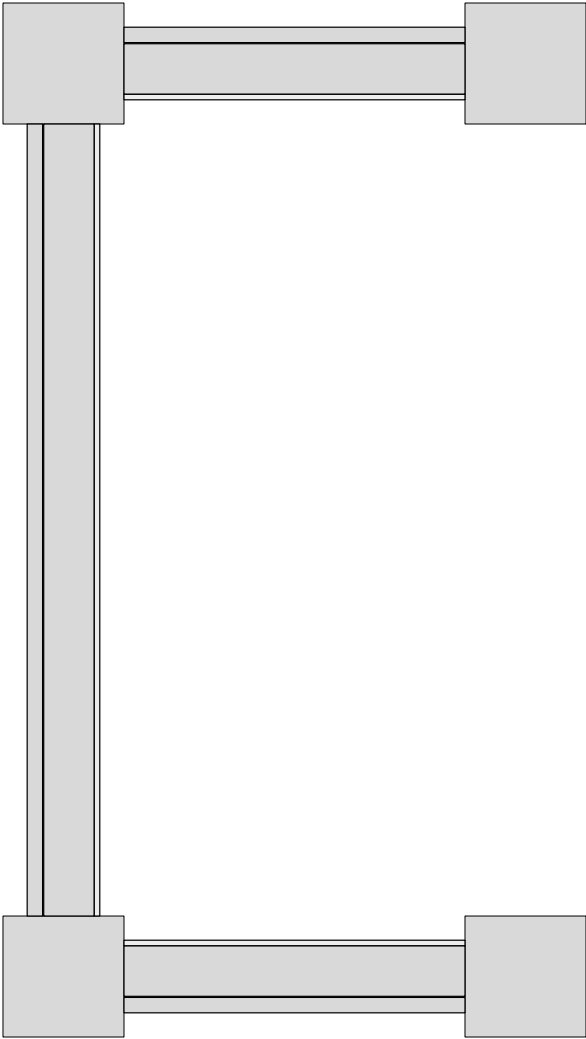
Sample Display Configurations



2 Unit L-Shaped Display

Two units with End Column Supports and Central Column Support. Shown with 1 double door unit and 1 single window unit.
Approximately: 7.5' x 3.5'

Sample Display Configurations

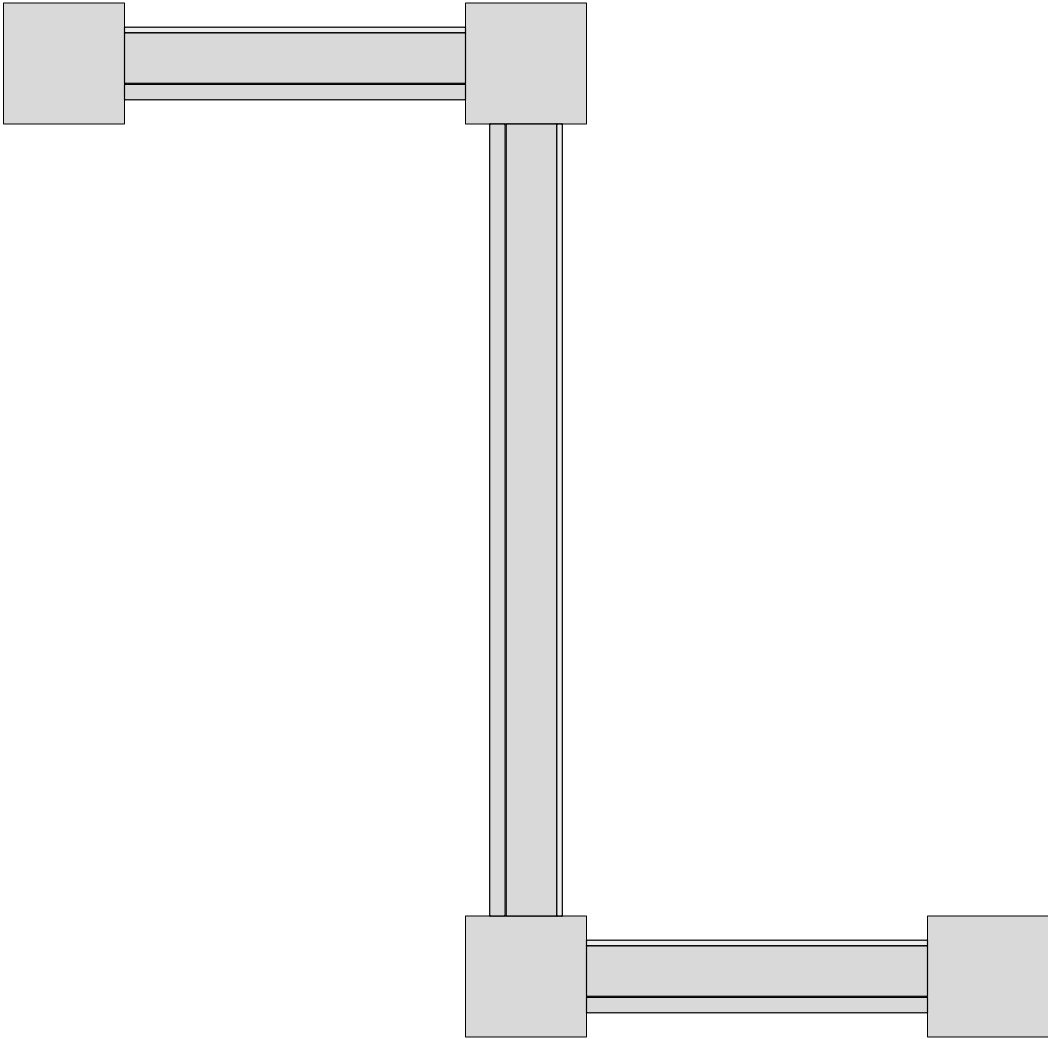


3 Unit C-Shaped Display

One double door unit with Two single window units with End Column Supports and Two Corner Column Supports.

Approximately: 8' x 3.5'

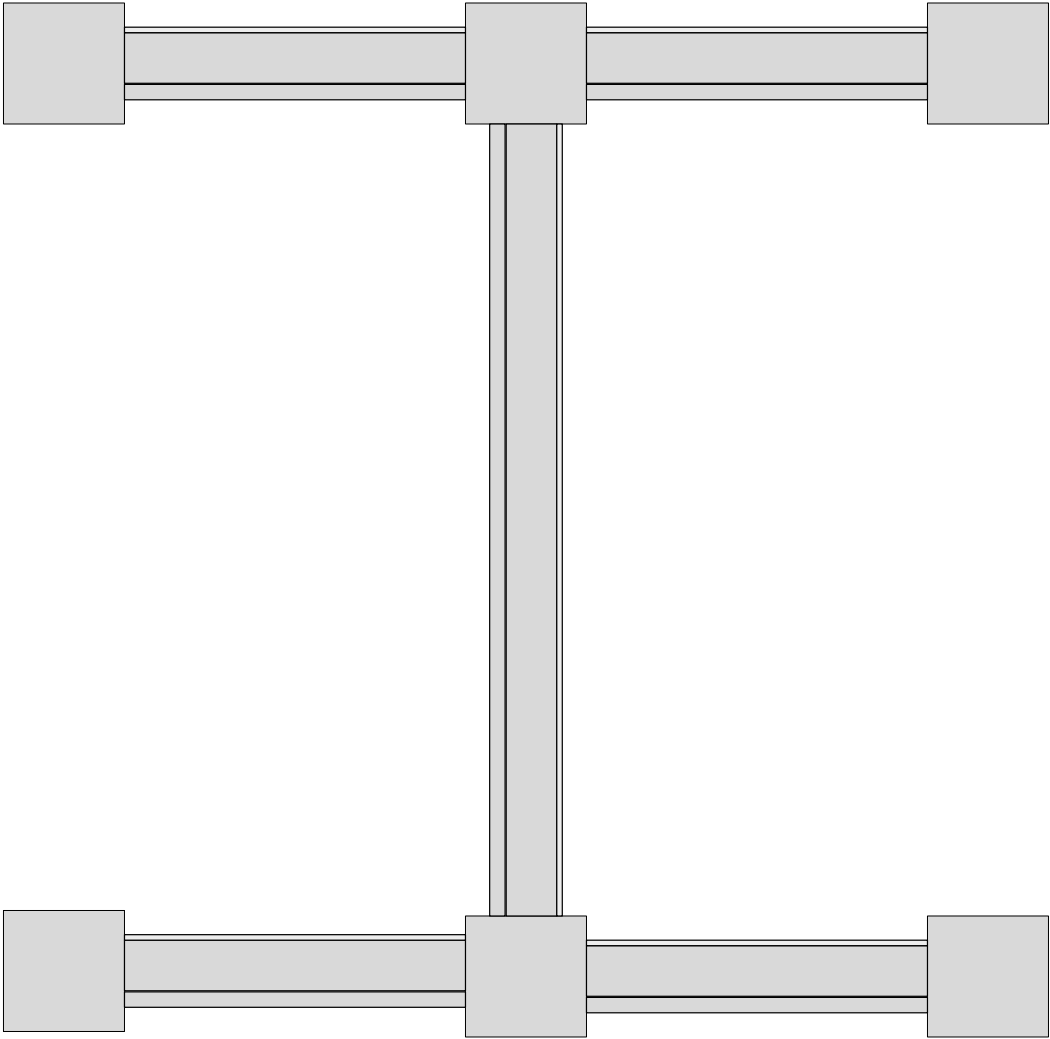
Sample Display Configurations



3 Unit Z-Shaped Display

One double door unit with Two single window units with End Column Supports and Two Corner Column Supports.
Approximately: 8' x 6.5'

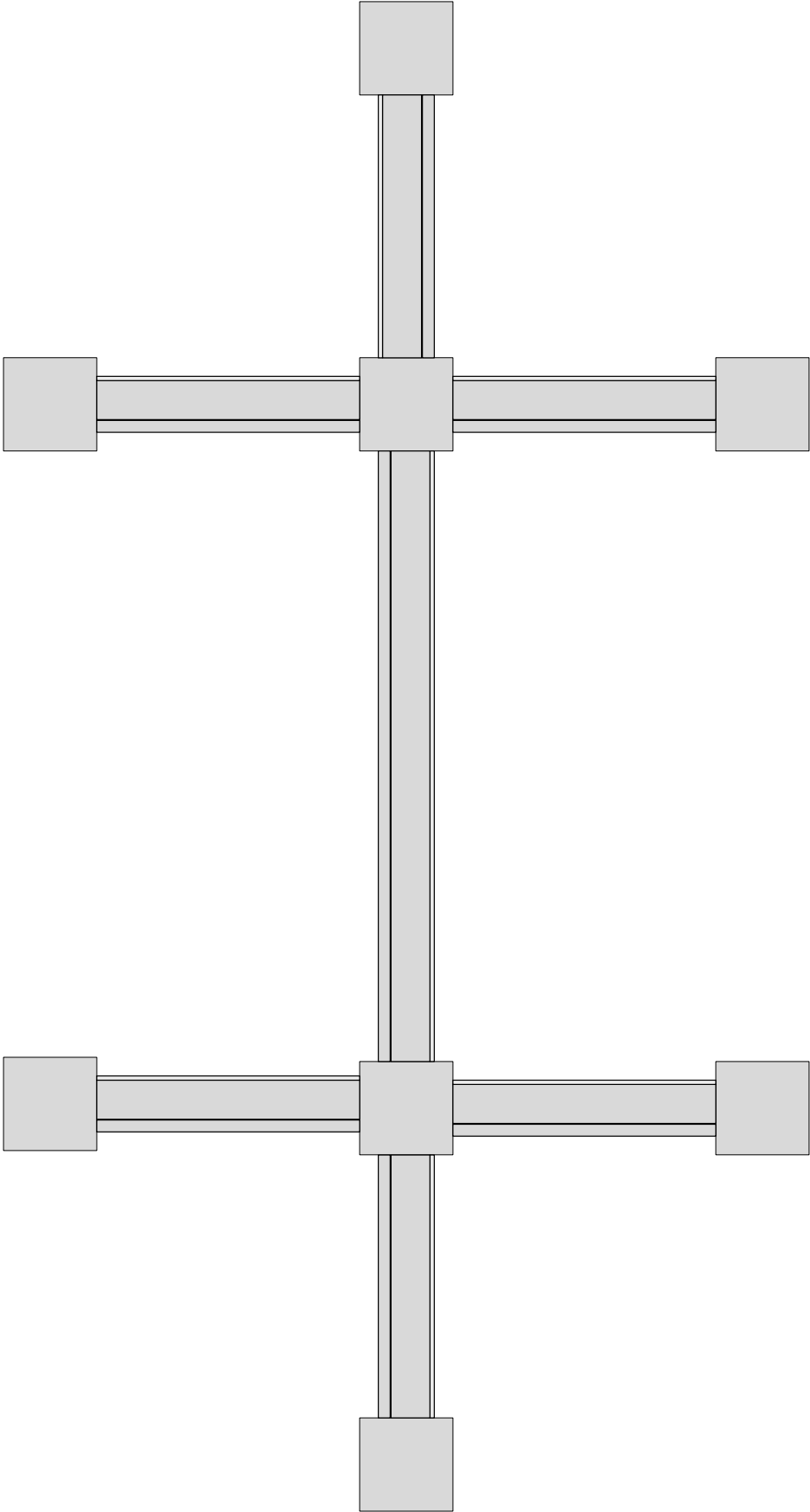
Sample Display Configurations



5 Unit H-Shaped Display

One double door unit with Four single window units with End Column Supports and Two Central Column Supports.
Approximately: 8' x 6.5'

Sample Display Configurations

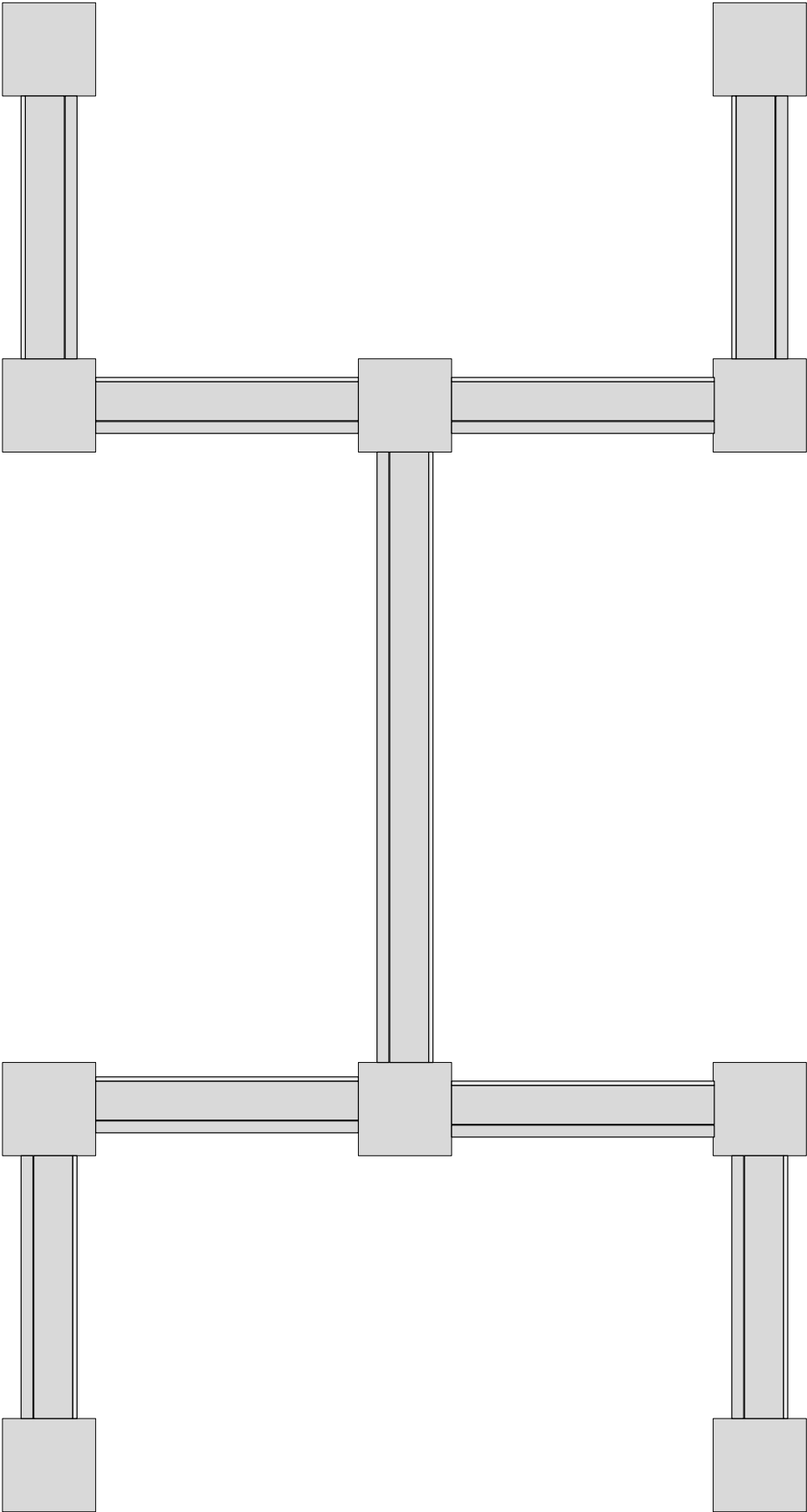


7 Unit H-Shaped Display

One double door unit with Six single window units with End Column Supports and Two Central Column Supports.

Approximately: 13.5' x 6.5'

Sample Display Configurations

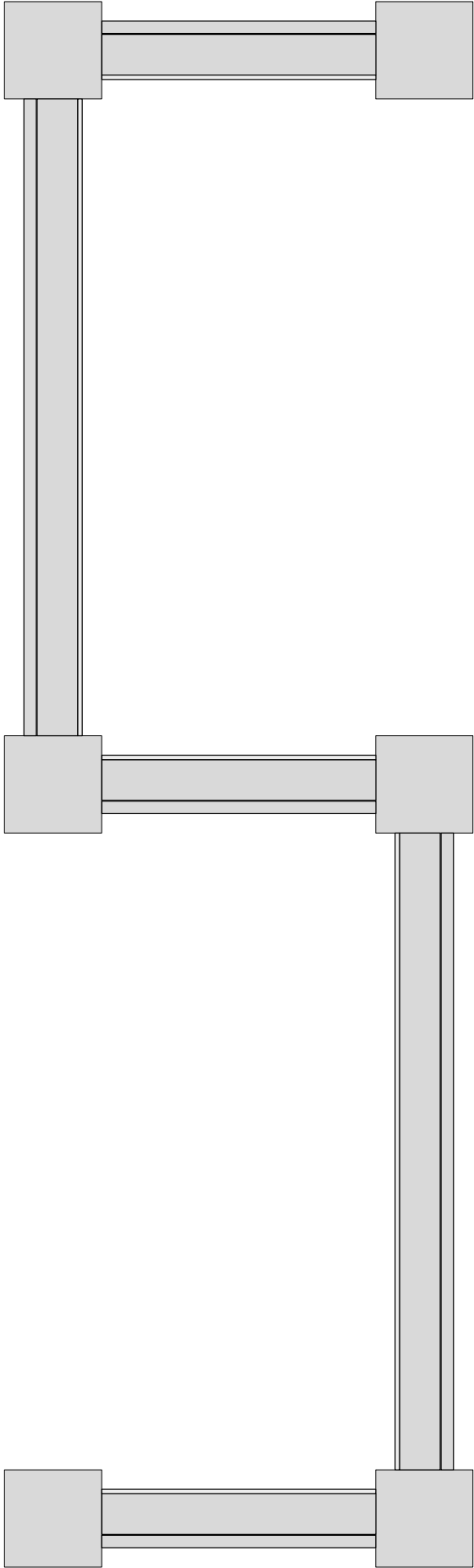


9 Unit H-Shaped Display

One double door unit with Eight single window units with four End Column Supports, four Corner Supports and two Tee Column Supports.

Approximately: 13.5' x 7.5"

Sample Display Configurations



5 Unit S-Shaped Display

Two double door units with Three single window units and four Corner Supports and two End Columns.
Approximately: 14' x 52"