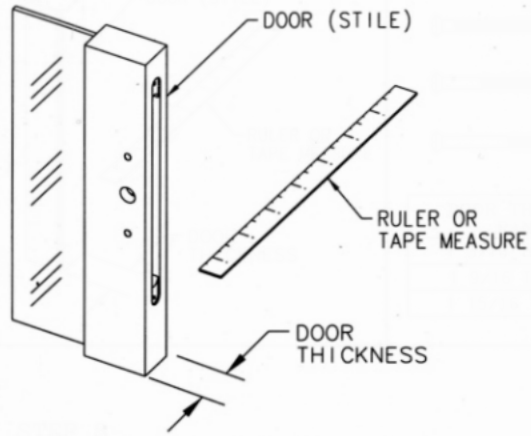


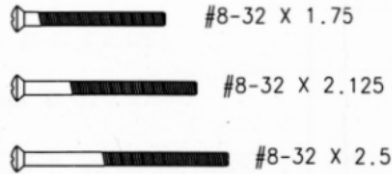
**STEP 1**

MEASURE DOOR THICKNESS.



**STEP 2**

DETERMINE THE PROPER LENGTH OF MOUNTING SCREWS.



DOOR THICKNESS RANGE	#8-32 PHILLIPS SCREW LENGTH
1 3/16 TO 1 9/16	1.750
1 9/16 TO 1 15/16	2.125
1 15/16 TO 2 5/16	2.500



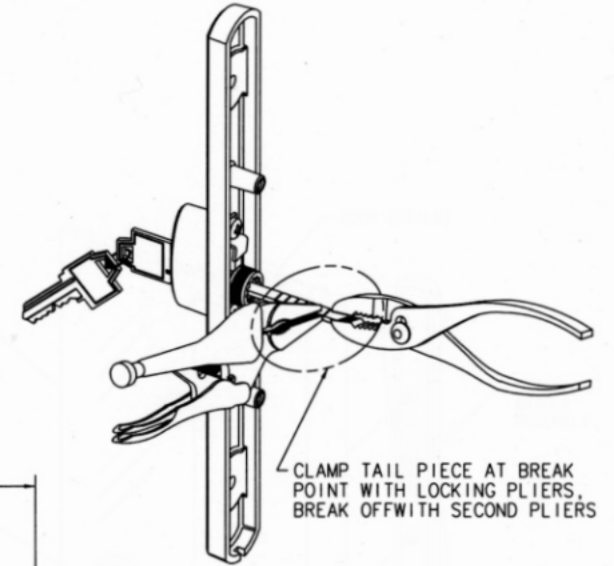
Truth Hardware  
an FKI Industries company  
700 West Bridge Street  
Owatonna, MN 55060  
Telephone 507-451-5620

**INSTALLATION INSTRUCTIONS**

HANDLES, KEEPERS AND OTHER COMPONENTS MAY NOT BE AN EXACT MATCH WITH WHAT YOU ARE INSTALLING BUT THE INSTALLATION PROCEDURE IS BASICALLY THE SAME.

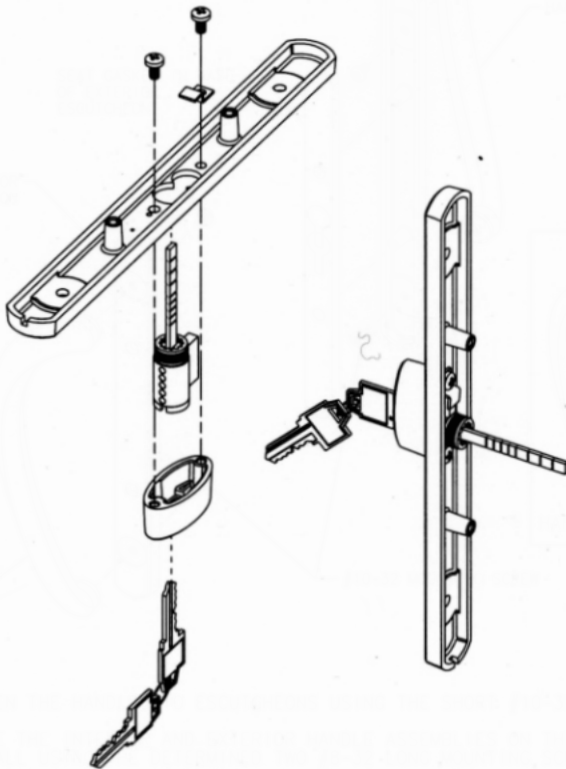
**STEP 5**

BREAK OFF TAIL ENDS WITH PLIERS



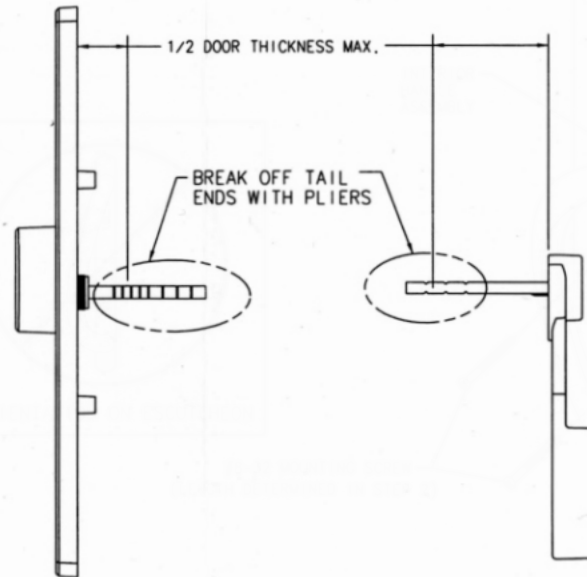
**STEP 3**

LOCK CYLINDER / ESCUTCHEON ASSEMBLY



**STEP 4**

SIZE TAIL PIECES TO SUIT DOOR THICKNESS

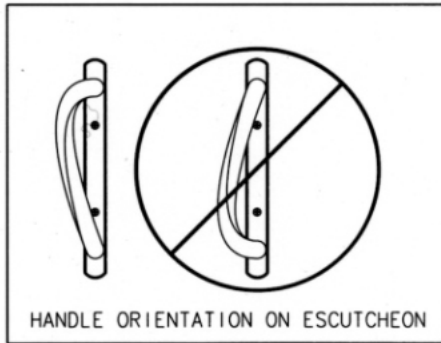
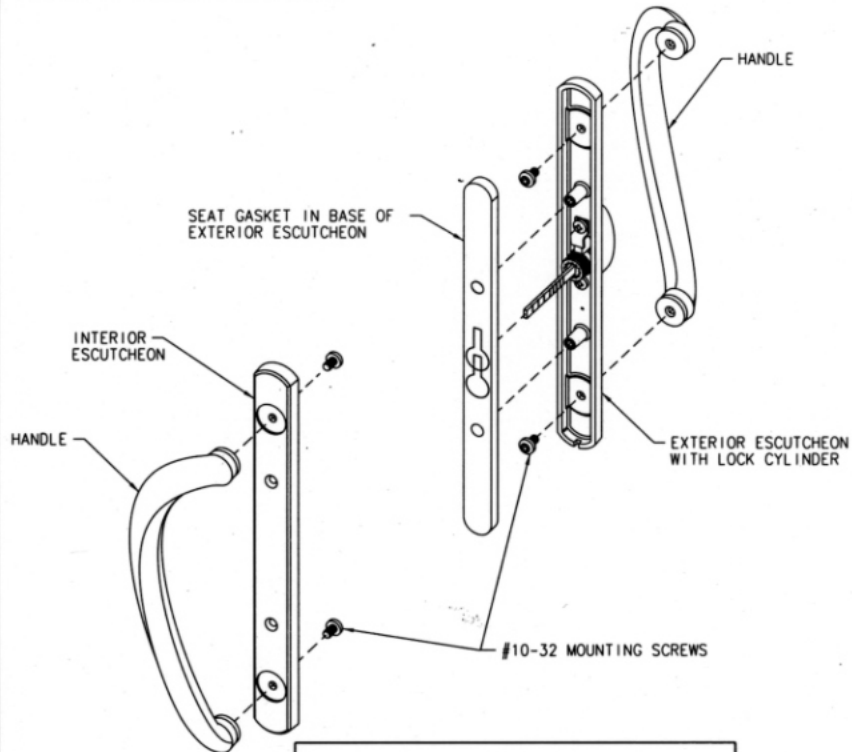


DETERMINING TAIL PIECE BY FINDING BREAK MARK CLOSEST TO 1/2 DOOR THICKNESS MAX.

# Handle Sets with Interior Latch / Exterior Lock

## STEP 6

HANDLE TO ESCUTCHEON ASSEMBLY



### NOTE:

1. FASTEN THE HANDLES TO ESCUTCHEONS USING THE SHORT #10-32 MOUNTING SCREWS AS INDICATED AND TIGHTEN AS REQUIRED.
2. INSTALL MORTISE LOCK AND INSERT THUMB LEVER WITH TUNG EXTENDING INTO DRIVE HUB OF THE MORTISE.
3. PLACE THE EXTERIOR HANDLE ASSEMBLY WITH CYLINDER TAIL EXTENDING THROUGH MORTISE LOCK DRIVE HUB.
4. PLACE INTERIOR HANDLE ASSEMBLY OVER THE THUMB LEVER AND FASTEN TO EXTERIOR HANDLE ASSEMBLY USING THE DETERMINED TWO #8-32 LONG MOUNTING SCREWS AND TIGHTEN AS REQUIRED.
5. BE SURE TO MOUNT HANDLE ASSEMBLIES ON DOOR WITH HANDGRIP TOWARD GLASS.
6. USE PROPER TOOLS AND PROTECTIVE EYEWEAR DURING INSTALLATION.



Truth Hardware  
an FKI Industries company  
700 West Bridge Street  
Owatonna, MN 55060  
Telephone 507-451-5620

## INSTALLATION INSTRUCTIONS

HANDLES, KEEPERS AND OTHER COMPONENTS MAY NOT BE AN EXACT MATCH WITH WHAT YOU ARE INSTALLING BUT THE INSTALLATION PROCEDURE IS BASICALLY THE SAME.

## STEP 7

INSTALL HANDLE SET TO DOOR

