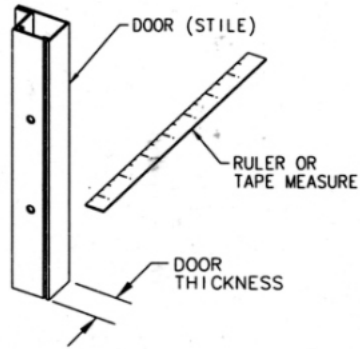


Handle Sets without Latch / Lock

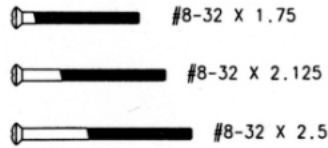
STEP 1

MEASURE DOOR THICKNESS.



STEP 2

DETERMINE THE PROPER LENGTH OF MOUNTING SCREWS.



DOOR THICKNESS RANGE	#8-32 PHILLIPS SCREW LENGTH
1 3/16 TO 1 9/16	1.750
1 9/16 TO 1 15/16	2.125
1 15/16 TO 2 5/16	2.500



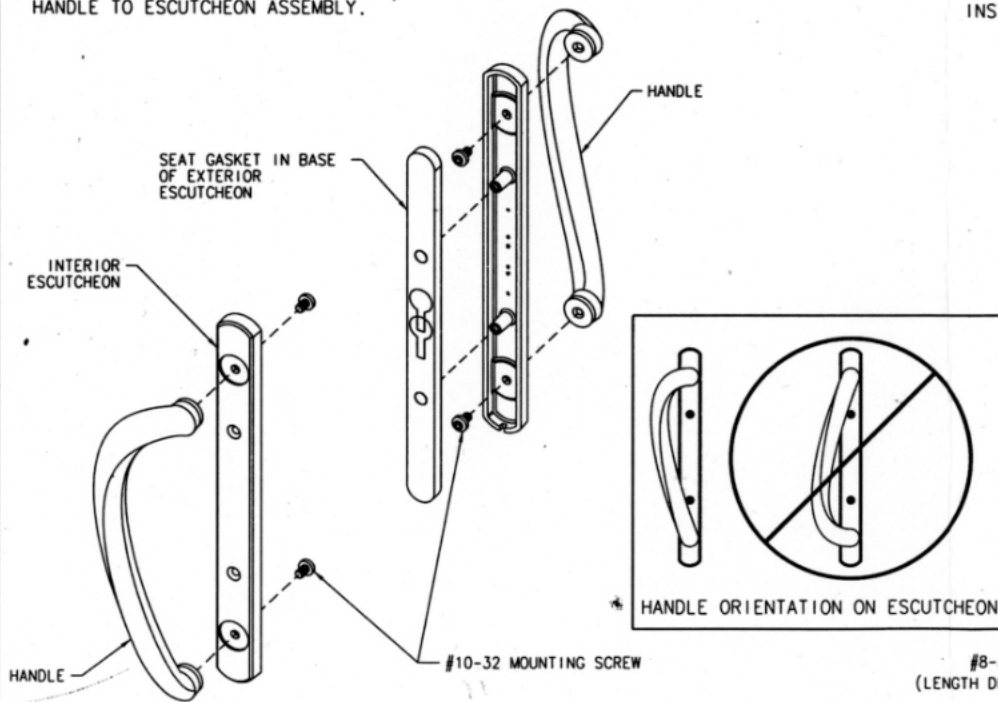
Truth Hardware
an FKI Industries company
700 West Bridge Street
Owatonna, MN 55060
Telephone 507-451-5620

INSTALLATION INSTRUCTIONS

HANDLES, KEEPERS AND OTHER COMPONENTS MAY NOT BE AN EXACT MATCH WITH WHAT YOU ARE INSTALLING BUT THE INSTALLATION PROCEDURE IS BASICALLY THE SAME.

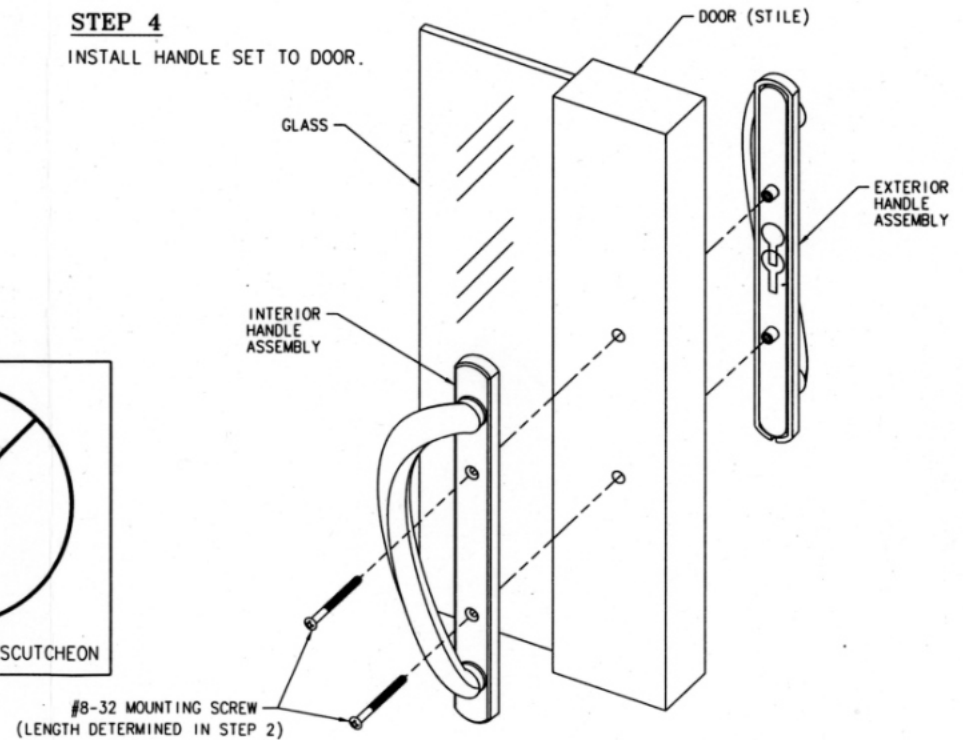
STEP 3

HANDLE TO ESCUTCHEON ASSEMBLY.



STEP 4

INSTALL HANDLE SET TO DOOR.



1. FASTEN THE HANDLES TO ESCUTCHEONS USING THE SHORT #10-32 MOUNTING SCREWS AS INDICATED AND TIGHTEN AS REQUIRED.
2. PLACE THE INTERIOR AND EXTERIOR HANDLE ASSEMBLIES ON THE DOOR WITH THE HANDGRIP TOWARD THE GLASS, INSTALL USING THE DETERMINED TWO #8-32 LONG MOUNTING SCREWS AND TIGHTEN AS REQUIRED.
3. USE PROPER TOOLS AND PROTECTIVE EYEWEAR DURING INSTALLATION.