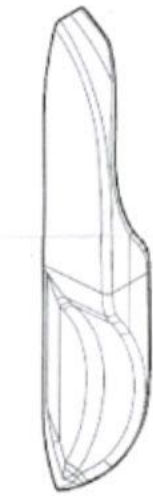


## Components



INTUITION®  
External Pull  
Non-Locking

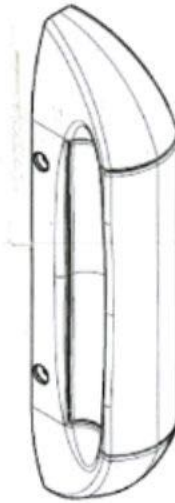
OR



INTUITION®  
External Pull  
Locking



INTUITION®  
Mounting Plate



INTUITION®  
Handle



Handle Fixing  
Insert



Standard  
Pinion Gear



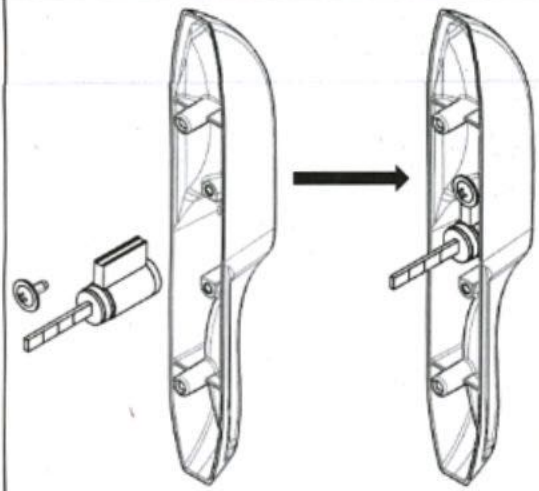
Extended  
Pinion Gear



Lock Cylinder



Screw Pack



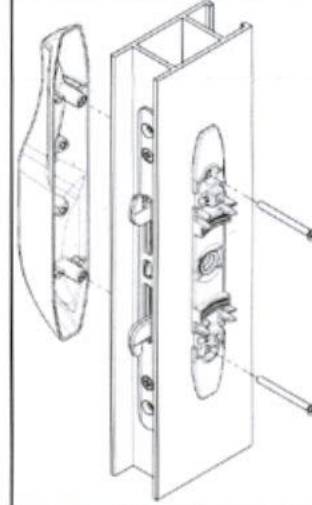
### 1. Insert lock cylinder

#### Non-Locking Handles

- Skip to step 2

#### Locking Handle

- Loosen screw in handle
- For left hand opening doors, as viewed from the exterior, insert the lock cylinder into the exterior handle as shown
- Secure with screw supplied in handle.
- For right hand opening doors, flip the cylinder 180 degrees



### 3. Install exterior handle

- Install mounting plate and exterior handle
- For easier installation, lubricate screws and drive through the mounting plate into the exterior handle
- DO NOT over-tighten screws

## 2. Select mounting screw

SCREW	DOOR THICKNESS RANGE
M4 x 40 Mounting Screw	1.31" [33.2mm] ~ 1.50" [38.1mm]
M4 x 45 Mounting Screw	1.50" [38.2mm] ~ 1.70" [43.1mm]
M4 x 50 Mounting Screw	1.70" [43.2mm] ~ 1.89" [48.1mm]
M4 x 55 Mounting Screw	1.90" [48.2mm] ~ 2.09" [53.1mm]

M4 X 40



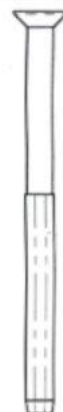
M4 X 45



M4 X 50



M4 X 55



Note: Drawing for reference only. Not to Scale.

#### 4. Select and install pinion gear

- Make sure lock is in locked position (hooks extended as shown)
- Orient pinion gear as shown and install pinion gear through the mounting plate and into the square hole in the lock

##### Locking Version

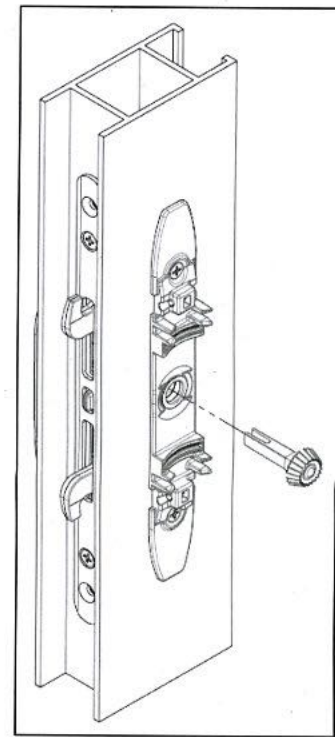
- Insert key to align the tail bar of the lock cylinder with the end of pinion gear. If tail bar is drooping in square hole, use key to lift it to get gear into place.



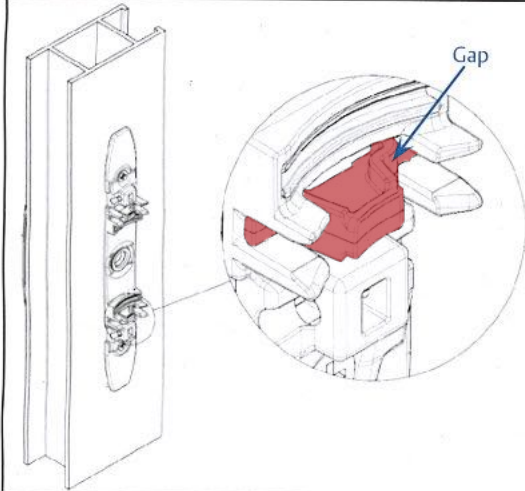
Standard Pinion Gear



Extended Pinion Gear



PINION GEAR	DOOR THICKNESS RANGE
Standard Pinion Gear	1.31" [33.2mm] ~ 1.70" [43.1mm]
Extended Pinion Gear	1.70" [43.2mm] ~ 2.09" [53.1mm]



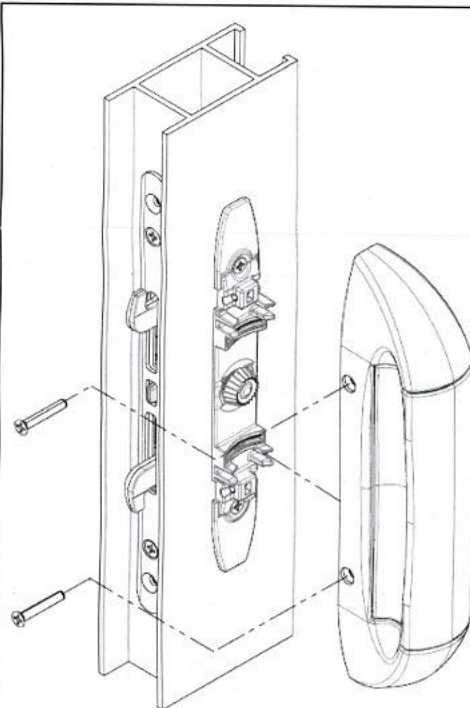
#### 5. Handle Fixing Insert installation – only required if lock is not installed in panel

##### Fixed INTUITION® Handle – Inactive Panels

- Left hand opening panels as viewed from the outside (as shown)
  - Install Handle Fixing Insert into lower position as shown
- Right hand opening panels as viewed from outside
  - Install Handle Fixing Insert in same orientation into upper position
- Gap will always be toward the glass
- Install handle as described in step 6 (Note: Handle will not rotate in this application)

##### Standard INTUITION® Handle – Active Panels

- Skip to step 6



#### 6. INTUITION® Handle Installation

- Make sure lock is in locked position (hooks extended as shown)
- With handle in locked position, as shown, align handle with mounting plate then set and hold in place
- Install Handle Mounting Screws, careful to avoid damage to profile

#### 7. Operation Check (Active Panels only)

- Rotate lever into unlocked position
  - If lever will not move, remove handle and repeat step 6
- Ensure that hooks are fully retracted
- Push mishandling button and activate lock with lever
- Push vertically on hooks and make sure that they do not retract
  - If hooks retract, remove handle and repeat step 6
- Unlock lock and close door



#### 8. Trouble shooting

- If, after two installation attempts, handle will not rotate lock:
  - Remove handle
  - Ensure lock is oriented such that INTERLOCK Logo on lock is facing the INTUITION® Handle
  - Re-Assemble handle to door as described here