

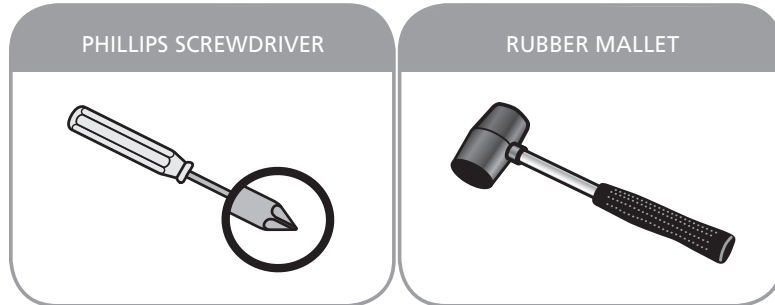
IT IS HIGHLY RECOMMENDED THAT THE INSTRUCTIONS BE READ THROUGH BEFORE INSTALLATION.



ADJUSTING SPRING TENSION

INSTRUCTIONS FOR GENIUS **ROLLER STYLE** RETRACTABLE SCREENS

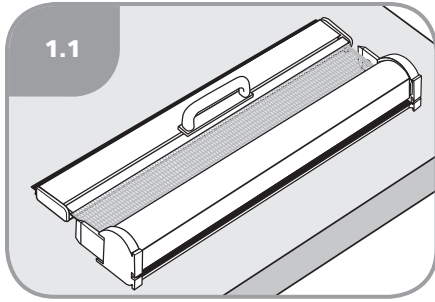
INSTALLATION TOOLS



INTRODUCTION

NOTE: Genius offers a variety of screen cassettes, however, the process of adjusting spring tensions is essentially the same.

SAFETY NOTE: Genius roller style retractable screens use a tension spring that can cause bodily damage if not handled correctly. It is recommended that you wear sturdy gloves before attempting to adjust spring tension.

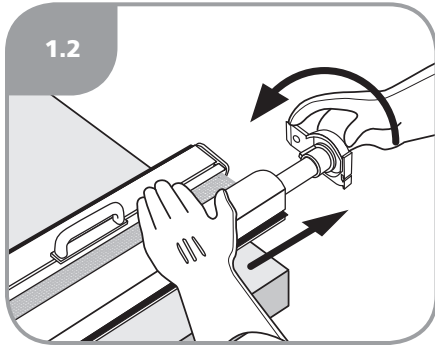


1 ADJUSTING THE SPRING TENSION

NOTE: Wear sturdy gloves before beginning this procedure.

Remove the Screen Cassette Assembly from the opening and place on the table as shown in illustration [1.1].

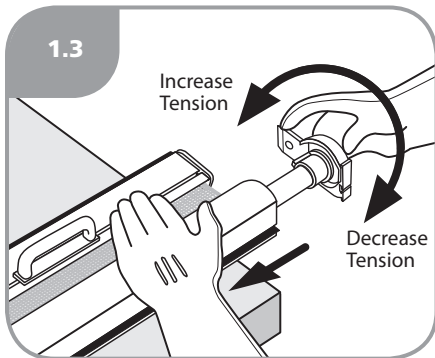
Gently loosen the right end cap from the Cassette being careful to keep a firm grip on the end cap (do NOT let go) [1.2].



Increase the spring tension by adding clockwise turns or decrease tension applying counter-clockwise turns [1.3].

Note: Horizontal operating door screens require appr. 2 full rotations and vertical (pull-down) window screens require approximately 6 full rotations per every 12" of Screen Cassette length. You may choose to modify these numbers to adjust the speed of retraction and/or ease of opening.

CAUTION: Do NOT let go of the End Cap until it is secured into the Cassette.

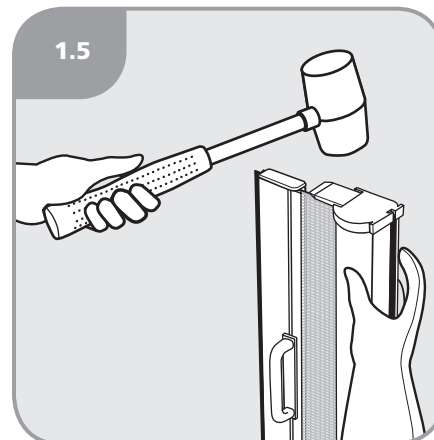
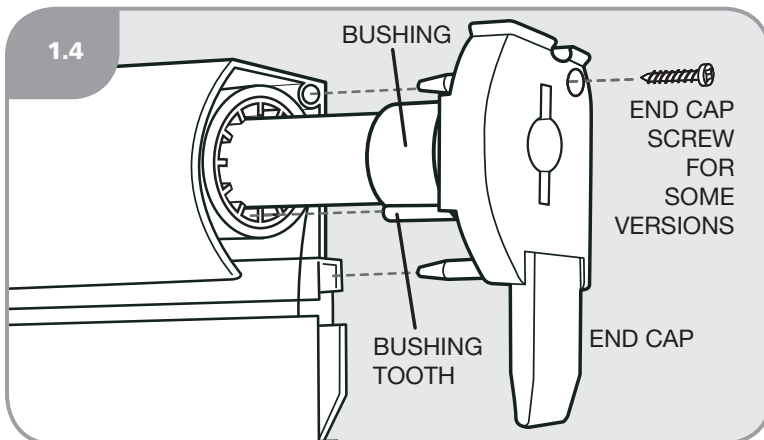


NOTE: When sliding the Bushing into the tube of the screen roll, make sure that the tooth on the Bushing lines up with one of the slots in the Screen Tube [1.4].

Slide the End Cap Pin into the Cassette and install by tapping evenly with a soft mallet [1.5]. If your system uses a screw to secure the End Cap then install this now [1.4].

Open and close the screen several times to check the operation.

Reinstall the retractable screen in the opening.



Please visit www.geniusscreens.com/installation for more assistance with installing our products.