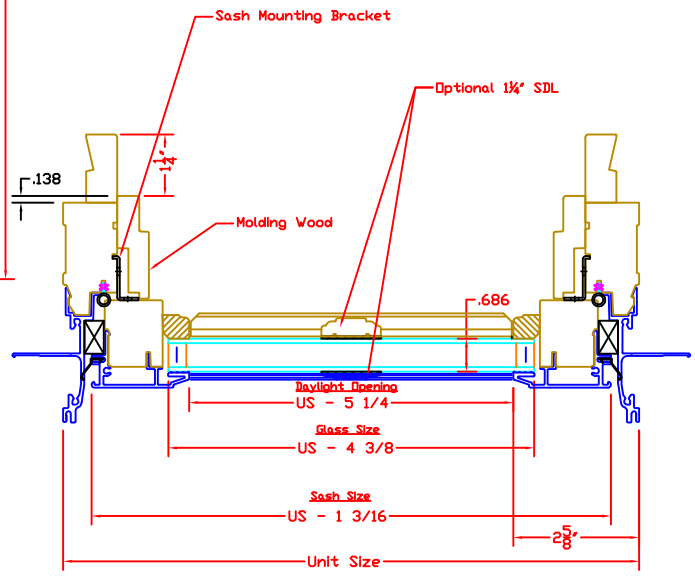



To Remove Fixed Sash from Frame:
 1) Remove molding wood from inside of window (Hor.(1st) and Vert.(2nd))

2) Support sash on exterior while someone removes the screws that are secured through the bracket into the sash.

3) Remove sash from the opening.



 SUN WINDOWS OWENSBORO, KY.	COLOR:	R E V I S I O N S		S.M.
	MAT'L: clad			S.M.
DESCRIPTION: Hor. & Vert. Cross Section Details of the USA Casement Sash Set Fixed Lite	DRAWN BY: Scott Merkel	1	Hor. molding changed to CS-68 2/28/11	S.M.
		REV	DESCRIPTION	BY
DATE: 7/20/08	PART NO.:	COST:	SCALE: 1/4" = 1"	X-FULL: 1:4